

# HUSKYLINERS®

## weatherBEATER

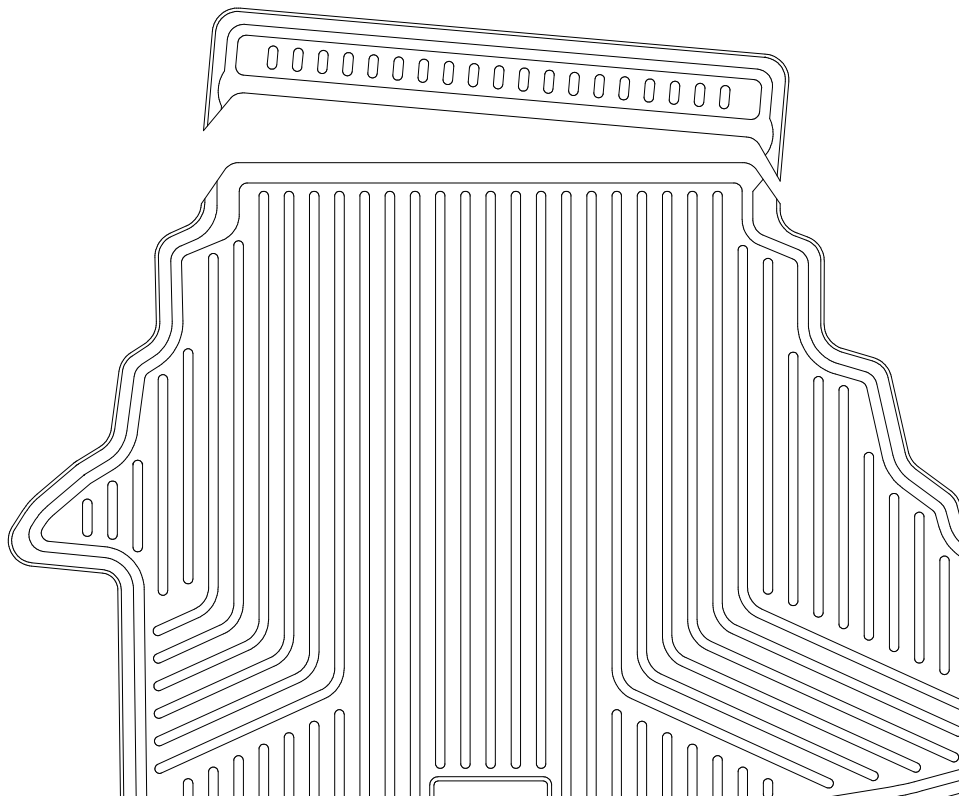
### CARE AND USE INSTRUCTIONS

---

Thank you for selecting a WeatherBeater® Trunk Liner from Winfield Consumer Products. Your new trunk liner is custom molded to fit your Toyota Camry (non-Hybrid). Upon removal from the box your liner will not completely unroll and lay flat. This is normal and only temporary. Just place the liner on the floor or in the trunk of your vehicle with a weight in each corner (a book works well). After about 15 minutes, your liner will remain flat. In colder climates this “relaxing” may take longer; moving the liner to a heated area will accelerate the process.

Your liner is manufactured using an engineering resin that is lightweight and extremely tough and durable. The easiest way to clean your liner is with a damp cloth or sponge. If using a cleaner, 409® or Glass Plus® work well. Use of Armor All®, Son-of-a-Gun® or similar items is discouraged as these products make the liner slick.

### INSTALLATION INSTRUCTIONS FOR YOUR TOYOTA CAMRY TRUNK LINER (NON-HYBRID MODELS)



**YOUR TOYOTA CAMRY MAY BE EQUIPPED WITH A REAR SEAT THAT HAS AN OPTIONAL ADJUSTABLE SEAT BACK. IF IT DOES, YOU WILL FIND THAT YOUR LINER IS TOO LONG AS BOXED. THE LINER IS DESIGNED TO ACCOMMODATE THIS OPTIONAL FEATURE VIA TRIMMING. PLEASE TEST FIT YOUR LINER FIRST TO DETERMINE IF YOU NEED TO TRIM YOUR LINER. IF TRIMMING IS REQUIRED, PLEASE REFER TO THE PHOTOS AND TRIM NOTES ON THE BACK OF THIS PAGE.**

## PHOTOS OF PART #44501 SHOWING TRIMMING REQUIRED

